

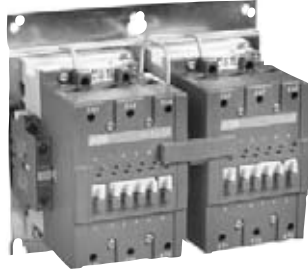
A9 - A300

Non-reversing, mechanically interlocked, reversing
AC operated, UL rated, 3 phase

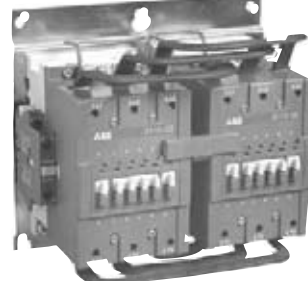
Across the line
contactors



A26-30-10-84



A110M-30-11-84



A110R-30-11-84

UL general purpose current	UL motor switching current	Maximum motor horsepower ratings				Standard Aux. contacts		Non-reversing	Mechanically interlocked	Reversing	
		208V	240V	480V	575/600V	NO	NC	Catalog number	Catalog number	Catalog number	
AC1		UL rated									
21	9	2	2	5	7.5	1 0	0 1	A9-30-10-84 A9-30-01-84	A9M-30-10-84 A9M-30-01-84	A9R-30-10-84 A9R-30-01-84	
25	11	3	3	7.5	10	1 0	0 1	A12-30-10-84 A12-30-01-84	A12M-30-10-84 A12M-30-01-84	A12R-30-10-84 A12R-30-01-84	
30	17	5	5	10	15	1 0	0 1	A16-30-10-84 A16-30-01-84	A16M-30-10-84 A16M-30-01-84	A16R-30-10-84 A16R-30-01-84	
40	28	7.5	10	20	25	1 0	0 1	A26-30-10-84 A26-30-01-84	A26M-30-10-84 A26M-30-01-84	A26R-30-10-84 A26R-30-01-84	
50	34	10	10	25	30	1 0	0 1	A30-30-10-84 A30-30-01-84	A30M-30-10-84 A30M-30-01-84	A30R-30-10-84 A30R-30-01-84	
60	42	10	15	30	40	1 0	0 1	A40-30-10-84 A40-30-01-84	A40M-30-10-84 A40M-30-01-84	A40R-30-10-84 A40R-30-01-84	
80	54	15	20	40	50	1	1	A50-30-11-84	A50M-30-11-84	A50R-30-11-84	
90	65	20	25	50	60	1	1	A63-30-11-84	A63M-30-11-84	A63R-30-11-84	
105	80	25	30	60	75	1	1	A75-30-11-84	A75M-30-11-84	A75R-30-11-84	
125	95	30	30	60	75	1	1	A95-30-11-84	A95M-30-11-84	A95R-30-11-84	
140	110	30	40	75	100	1	1	A110-30-11-84	A110M-30-11-84	A110R-30-11-84	
230	130	40	50	100	125	1	1	A145-30-11-84	A145M-30-11-84	A145R-30-11-84	
250	156	50	60	125	150	1	1	A185-30-11-84	A185M-30-11-84	A185R-30-11-84	
300	192	60	75	150	200	1	1	A210-30-11-84	A210M-30-11-84	A210R-30-11-84	
350	248	75	100	200	250	1	1	A260-30-11-84	A260M-30-11-84	A260R-30-11-84	
400	302	100	100	250	300	1	1	A300-30-11-84	A300M-30-11-84	A300R-30-11-84	
550	414	125	150	350	400	1	1				
650	480	150	200	400	500	1	1				
750	602	200	250	500	600	1	1				
900	810	250	300	600	700	1	1				
1350	960	—	400	800	900	1	1				
1650	1080	—	450	900	1000	1	1				

Coil voltage selection

All AC operated catalog numbers include a 120VAC coil. To select other coil voltages, substitute the code from the Coil Voltage Selection Chart for the two digits after the last dash in the catalog number.

Ex.: A 240V coil is required for an A75 contactor: A75-30-11-80

Auxiliary contact blocks

For additional auxiliary contact blocks, see catalog number explanation on page 1.2. Add \$ 20 to list price for each additional auxiliary, and see page 1.32 for available combinations. Only side-mounted blocks are allowed to be factory installed. If auxiliary contacts are not required for A50 - A300, subtract \$ 40 from list price and change catalog number to "00" instead of "11."

Mechanical interlock

Mechanically interlocked contactors are designed for reversing, 2 speed, reduced voltage, etc. type starter applications. The complete assembly consists of two mechanically and electrically interlocked contactors mounted as follows with line and load terminals:

- A9 - A16 — mounted on 35mm DIN rail
- A26 - A300 — mounted on common baseplate

Power wiring is not included. The NC electrical interlock is provided with the mechanical interlock for A9 - A110 contactors.

Coil voltage selection chart

Hz	Cntr type	Volts															
		12	24	48	110	120	125	208	220	240	277	380	415	440	480	500	600
60	A		81	83	84	84		34	36	80	42		86	86	51	53	55
50	A		81	83	84				80				85	86			55

For other voltages, see page 1.24.

Reversing

Reversing contactors are designed for reversing type starter applications. The complete assembly consists of two mechanically and electrically interlocked contactors mounted as follows with line and load terminals:

- A9 - A16 — mounted on 35mm DIN rail
- A26 - A300 — mounted on common baseplate

The NC electrical interlock is provided with the mechanical interlock for A9 - A110 contactors.

Accessories for A/AF/AL & AE contactors



CAL5-11



CA5-10

Auxiliary contact blocks – Standard

Positioning	Maximum number of contact blocks	Contact Description	Catalog number
Front mounting (single pole)	4 blocks: A9 – A26 AE9 – AE26 AL9 – AL26	1 N.O. 1 N.C.	CA5-10 CA5-01
	5 blocks: A30, A40, AE30, AE40, AL30, AL40 6 blocks: A45 – A110 AE45 – AE110 AF45 – AF110	1 N.O. Early make 1 N.C. Late break	CC5-10 CC5-01
Front mounting (4 pole)	1 block: A9 – A26-40-00 A30 – A110 AE9 – AE110	4 N.O. 3 N.O. & 1 N.C. 2 N.O. & 2 N.C. 4 N.C. 2 N.O./2 N.C.Ⓢ	CA5-40E CA5-31E CA5-22E CA5-04E CA5-11/11E
	1 block: A9 – A40-30-10 AL9 – AL40-30-10	3 N.O. & 1 N.C. 2 N.O. & 2 N.C. 1 N.O. & 3 N.C. 4 N.C. 4 N.O. 2 N.O./2 N.C.Ⓢ	CA5-31M CA5-22M CA5-13M CA5-04M CA5-40N CA5-11/11M
Side mounting (2 pole)	2 blocks: A9 – A75, AE9-AE45 1 block: AE50 – AE75, AL9 – AL40	1 N.O. & 1 N.C.	CAL5-11
	1 block: A/AE/AF95 - A/AE/AF110	1 N.O. & 1 N.C.	CAL18-11
	2 blocks: A145 – A300, AF145-AF2050 2 blocks: A145 – A300, AF145-AF2050	1 N.O. & 1 N.C. (inside L or R) 1 N.O. & 1 N.C. (outside, L or R)	CAL18-11 CAL18-11B

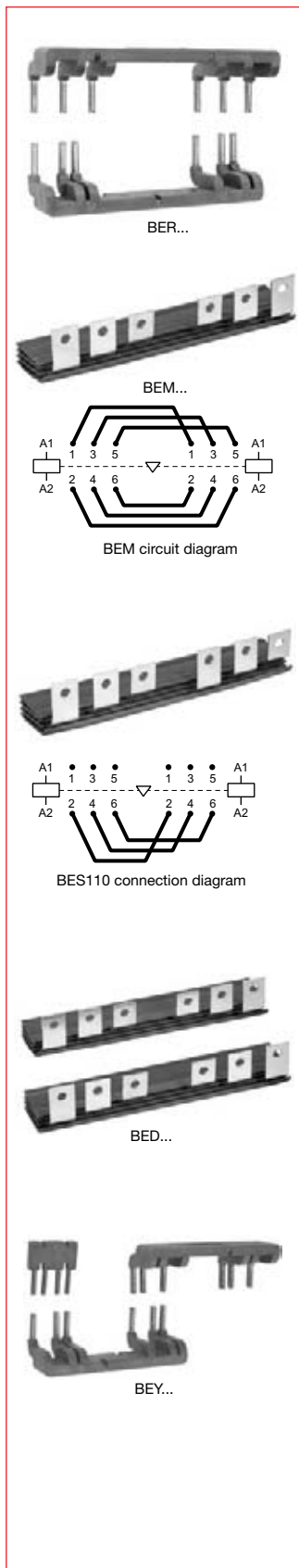
Auxiliary contact blocks – Front mounting, switching low voltage and low current

Positioning	Maximum number of contact blocks	Contact Description	Degree of protection	Catalog number
Front mounting (single pole)	4 blocks: A9 – A26 AE9 – AE26 AL9 – AL26	1 N.O.	IP40	CE5-10D0.1
		1 N.C.	IP40	CE5-01D0.1
		1 N.O.	IP40	CE5-10D2
		1 N.C.	IP40	CE5-01D2
	5 blocks: A30, A40, AE30, AE40, AL30, AL40 6 blocks: A45 – A110 AE45 – AE110 AF45 – AF110	1 N.O.	IP67	CE5-10W0.1
		1 N.C.	IP67	CE5-01W0.1
	1 N.O.	IP67	CE5-10W2	
	1 N.C.	IP67	CE5-01W2	

Ⓢ Includes 1 N.O. & 1 N.C. overlapping

Accessories for A/AE/AL/AF contactors

Across the line
contactors



Connection kits for reversing

Mounting on 3 pole contactors	Catalog number
A/AE/AL9 – A/AE/AL16 A/AE/AL26 – A/AE/AL40	BER16V BER40V
A/AE/AF50 – A/AE/AF75 A/AE/AF95, A/AE/AF110 A/AF145 – A/AF185 A/AF210 – A/AF300	BEM75-30 BEM110-30 BEM185-30 BEMA300-30
AF400 – AF460 AF580 – AF750	BEM460-30 BEM750-30

Application

Connections between the main poles of **two 3 pole contactors** mounted side by side so that they operate as reversing contactors.

Description

The connection kits for reversing contactors are made up of three reversing connections and three phase to phase connections.

- | | |
|------------------|-------------------------------------|
| BER16V | – Molded plastic, solid copper bars |
| BER40V | – Molded plastic, solid copper bars |
| BEM75 and 110-30 | – Insulated, solid copper bars |

Connection kits for phase to phase

Mounting on 3 pole contactors	Catalog number
A/AE/AF50, A/AE/AF75 A/AE/AF95, A/AE/AF110 A/AF145 – A/AF185 A/AF210 – A/AF300	BES75-30 BES110-30 BES185-30 BESA300-30
AF400 – AF460 AF580 – AF750	BES460-30 BES750-30

The connection kit for phase to phase contactors is made up of three phase to phase bus bars.

Connection kits for wye-delta starters

Mounting on contactors		Catalog number
Line and delta contactor	Wye contactor	
A9	A9	BEY16V-2
A12	A9	
A16	A12	
A26	A16	BEY26-2
A30	A26	BEY40-2
A40	A26	
A50	A30	BED50U
A63	A40	
A75	A50	
A95	A75	BED75U
A110	A95	BED95U
A145	A110	BED110U
A185	A145	BED145U
A210	A185	BED185U
A260/A300	A210	BED210U
AF400/AF460	A260/A300	BED300U
AF460	AF400	BED400U
AF580	AF400/AF460	BED460U
AF750	AF580	BED580U
		BED750U

Application

Connections between the main poles of a wye-delta starter.

Description

- The connection kits for wye-delta starters are made up of:
- Three line contactor/wye contactor connections – line side.
 - Three wye contactor/delta contactor connections – load side.
 - The shorting connection for the “S” contactor.

BEY16V-2, BEY26-2, BEY40-2 – Molded plastic, solid copper bars

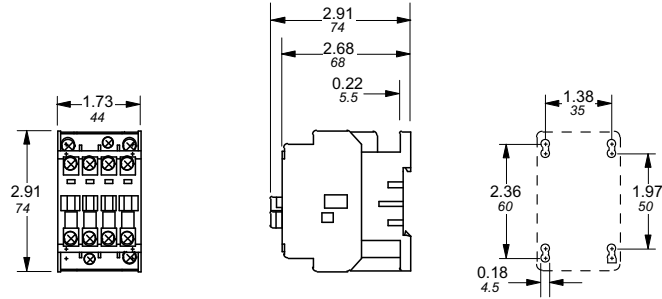
BED50U thru BED750U – Insulated, solid copper bars.

The above connection sets allow a mechanical interlock unit to be mounted between the wye and delta contactors if required.

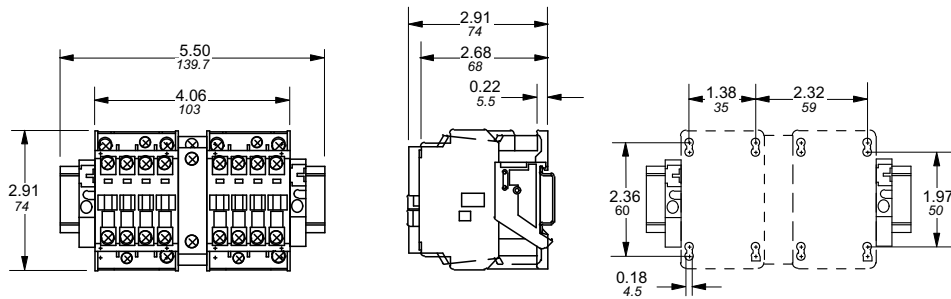
Approximate dimensions A/AE9 – A/AE26, 3 pole

00.00 Inches
00.00 [Millimeters]

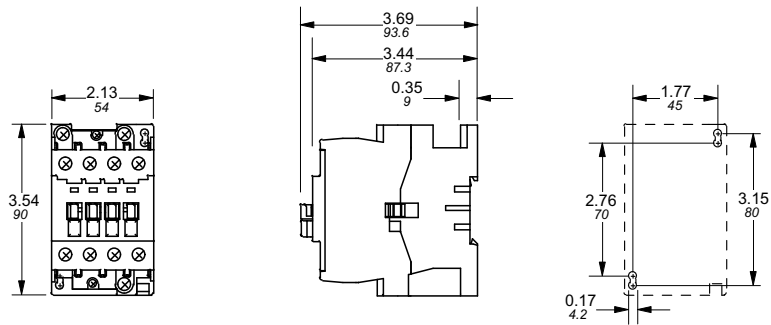
A/AE9 – A/AE16 – Contactor, 3 pole



A/AE9 – A/AE16 + VM5 or VE5 – Mechanically interlocked contactor, 3 pole



A/AE26 – Contactor, 3 pole



A/AE26 + VM5 or VE5 – Mechanically interlocked contactor, 3 pole

